

MINI BRASS BALL VALVE PN16



ISO 9001 : 2015



Size : DN 1/4" to 1/2"
Ends : Male, Female BSP
Min Temperature : - 10°C
Max Temperature : + 90°C
Max Pressure : 16 Bars
Specifications : Anti blow-out stem
O ring on stem
Black aluminium handle

Materials : Brass body

MINI BRASS BALL VALVE PN16**SPECIFICATIONS :**

- Anti blow-out stem
- Solid ball
- O ring on stem
- Black aluminium handle

USE :

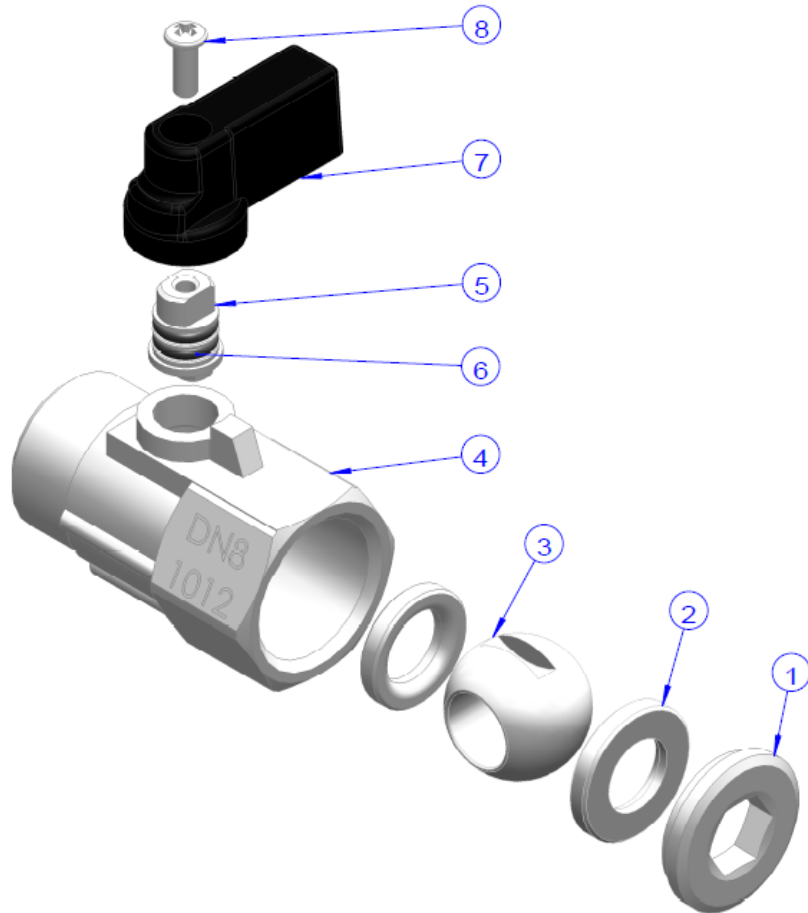
- Water distribution
- Compressed air : 10 bars maxi, excepted for Ref.694 and 697 maxi 6 bars
- Min Temperature Ts : - 10°C
- Max Temperature Ts :+ 90°C
- Max Pressure Ps : 16 bars

RANGE :

- Male / Female **Ref. 674** from DN 1/4" to 1/2"
- Female / Female **Ref. 677** from DN 1/4" to 1/2"
- Male / Male **Ref. 690** from DN 1/4" to 1/2"
- Male / Female with exhaust hole **Ref. 694** DN 1/4" and 1/2"
- Female / Female with exhaust hole **Ref. 697** from DN 1/2" to 1/2"

MINI BRASS BALL VALVE PN16

MATERIALS FEMALE – FEMALE TYPES (REF.677-697) :

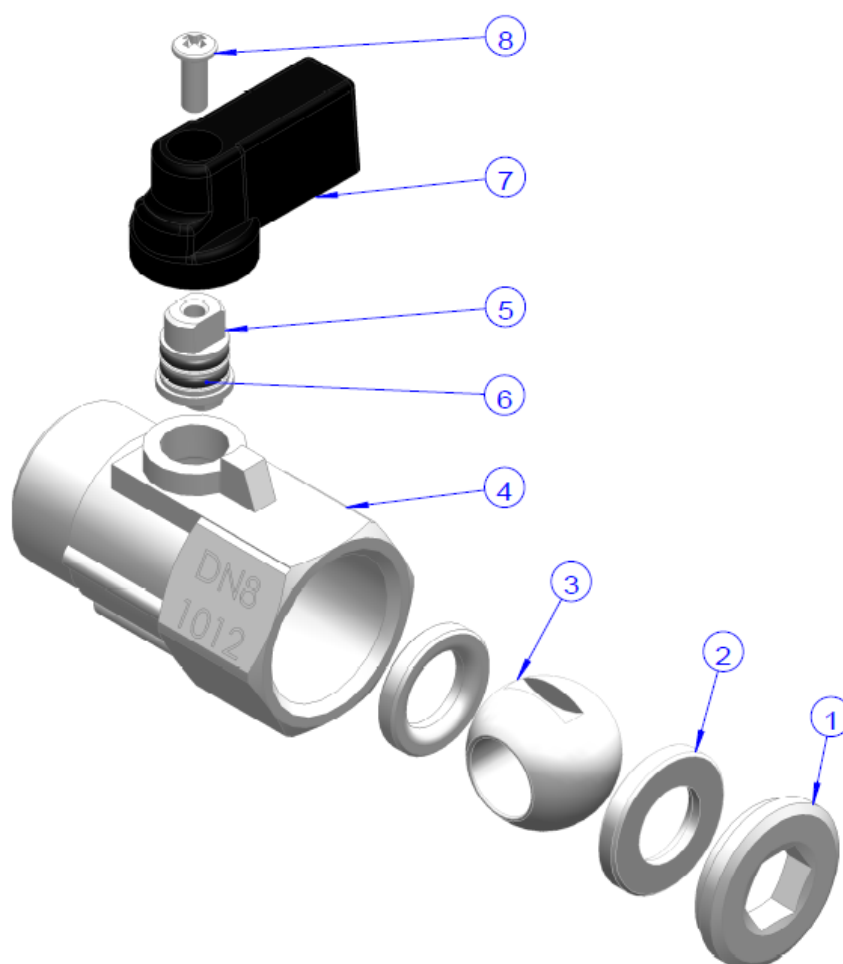


Item	Designation	Materials Ref. 677-697
1	Nut seat	Brass CW 614 N according to EN 12165
2	Seat	PTFE
3	Ball	Brass CW 614 N according to EN 12165 chromed
4	Body	Brass CW 617 N according to EN 12165 Nickerled
5	Stem	Brass CW 614 N according to EN 12165
6	O ring	NBR
7	Handle	Aluminium
8	Handle screw	Steel Q235

[nternet : www.oktogonal.hu](http://www.oktogonal.hu) | [Webshop : webshop.oktogonal.hu](http://webshop.oktogonal.hu) | e-mail: szolnok@oktogonal.hu

MINI BRASS BALL VALVE PN16

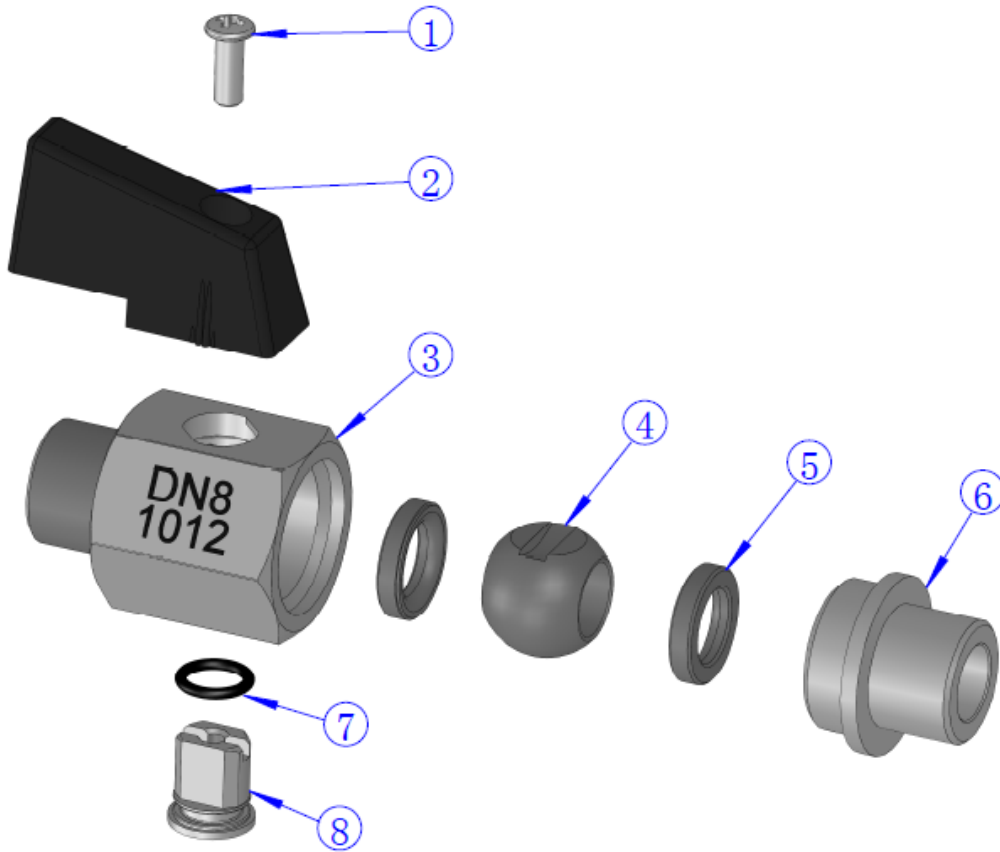
MATERIALS MALE – FEMALE TYPES (REF. 674-694) :



Item	Designation	Materials Ref. 674-694
1	Seat nut	Brass CW 614 N according to EN 12165
2	Seat	PTFE
3	Ball	Brass CW 614 N according to EN 12165 Chromed
4	Body	Brass CW 617 N according to EN 12165 Nickered
5	Stem	Brass CW 614 N according to EN 12165
6	O ring	NBR
7	Handle	Aluminium
8	Handle screw	Steel Q235

MINI BRASS BALL VALVE PN16

MATERIALS MALE – MALE TYPE (REF.690) :



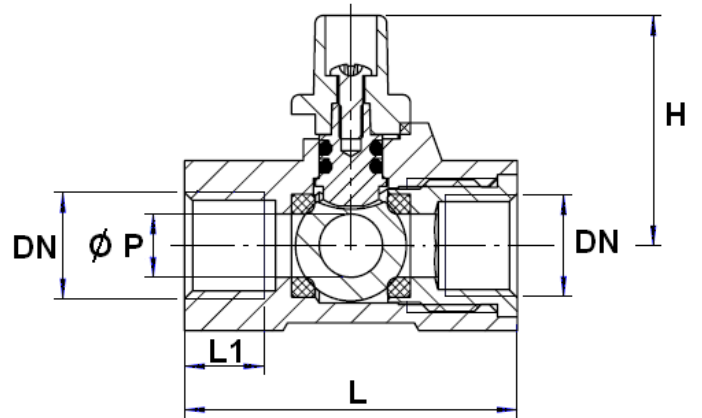
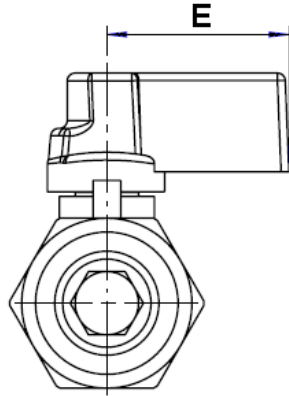
Item	Designation	Materials Ref. 690
1	Handle screw	Steel
2	Handle	Aluminium
3	Body	Brass CW 617 N according to EN 12165 Nickered
4	Ball	Brass CW 614 N according to EN 12165 Chromed
5	Seat	PTFE
6	Bonnet	Brass CW 617 N according to EN 12165 Nickered
7	O ring	EPDM
8	Stem	Brass CW 614 N according to EN 12165

[nternet : www.oktogonkft.hu](http://www.oktogonkft.hu) | [Webshop : webshop.oktogonkft.hu](http://webshop.oktogonkft.hu) | e-mail: szolnok@oktogonkft.hu

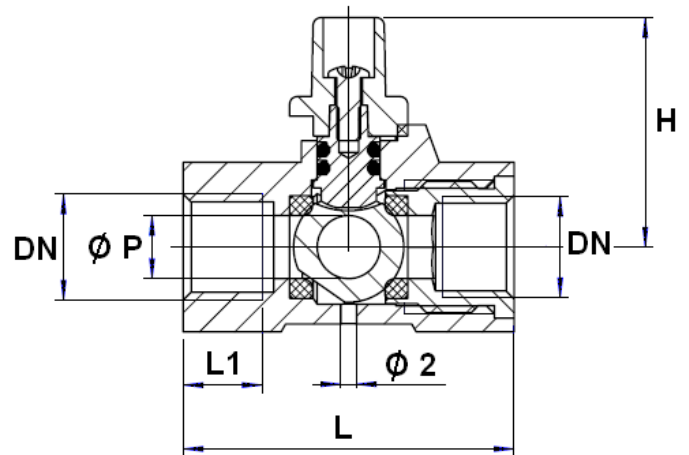
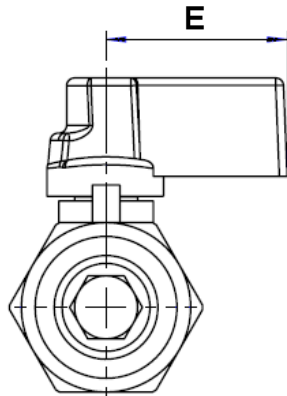
MINI BRASS BALL VALVE PN16

SIZE FEMALE / FEMALE TYPES (in mm) :

REF. 677 :



REF. 697 :



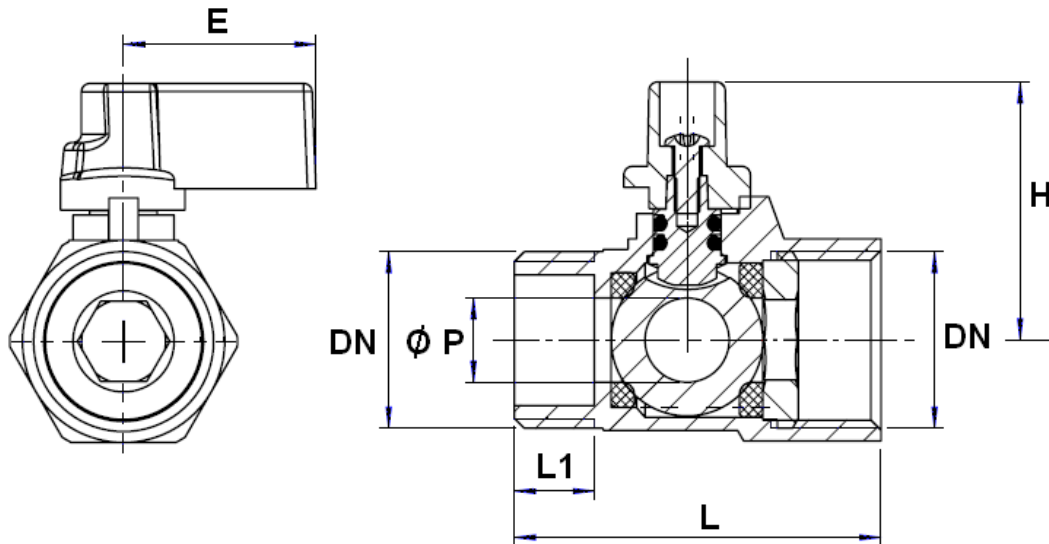
Ref.	DN	1/4"	3/8"	1/2"
677	Ø P	8	8	10
	L	42	42	44.5
	L1	10	10	9
697	H	29	29	30.5
	E	23	23	23
	Weight (Kg)	0.110	0.097	0.111

[nternet : www.oktogonkft.hu](http://www.oktogonkft.hu) | Webshop : webshop.oktogonkft.hu | [e-mail: szolnok@oktogonkft.hu](mailto:szolnok@oktogonkft.hu)

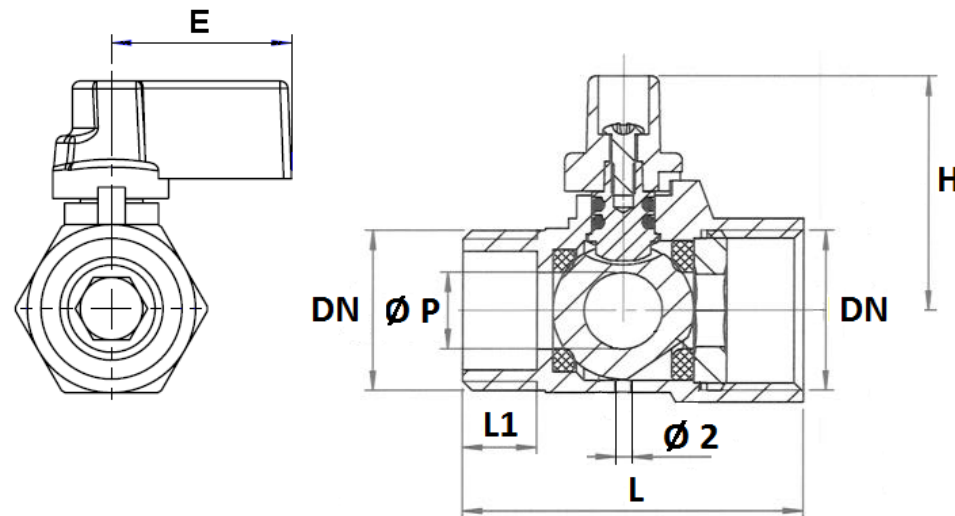
MINI BRASS BALL VALVE PN16

SIZE MALE / FEMALE TYPES (in mm) :

REF. 674 :



REF. 694 :

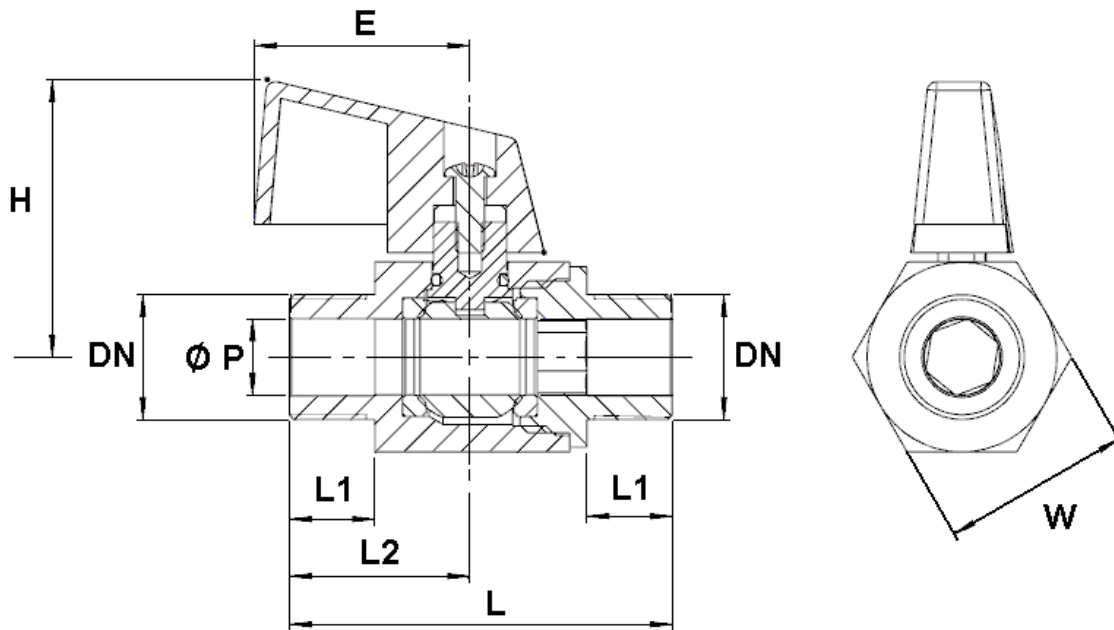


Ref.	DN	1/4"	3/8"	1/2"
674	Ø P	8	8	10
	L	41	41	43.5
	L1	8	10	9.5
694	H	29	29	30.5
	E	23	23	23
	Weight (Kg)	0.087	0.084	0.101

[nternet : www.oktognokft.hu](http://www.oktognokft.hu) | Webshop : webshop.oktognokft.hu | [e-mail: szolnok@oktognokft.hu](mailto:szolnok@oktognokft.hu)

MINI BRASS BALL VALVE PN16

SIZE MALE / MALE TYPE (in mm) :



Ref.	DN	1/4"	3/8"	1/2"
690	Ø P	8	8	10
	L	40.3	42.3	49.1
	L1	9	10	11.5
	L2	19	20	21.1
	H	29	29	31
	E	22.7	22.7	22.7
	W	20	20	24
	Weight (Kg)	0.065	0.068	0.113

MINI BRASS BALL VALVE PN16**STANDARDS :**

- Fabrication according to ISO 9001 : 2015 and ISO 14001 : 2015
- DIRECTIVE 2014/68/EU : Products excluded from directive (Article 1, § 2b)
- Threaded male and female BSP cylindrical ends according to ISO 228-1

ADVICE : Our opinion and our advice are not guaranteed and SFERACO shall not be liable for the consequences of damages. The customer must check the right choice of the products with the real service conditions.

MINI BRASS BALL VALVE PN16

INSTALLATION INSTRUCTIONS

GENERAL GUIDELINES :

- Ensure that the valves to be used are appropriate for the conditions of the installation (type of fluid, pressure and temperature).
- Be sure to have enough valves to be able to isolate the sections of piping as well as the appropriate equipment for maintenance and repair.
- Ensure that the valves to be installed are of correct strength to be able to support the capacity of their usage.
- **Installation of all circuits should ensure that their function can be automatically tested on a regular basis (at least two times a year).**

INSTALLATION INSTRUCTIONS :

- **Before installing the valves, clean and remove any objects from the pipes** (in particular bits of sealing and metal) which could obstruct and block the valves.
- **Ensure that both connecting pipes either side of the valve (upstream and downstream) are aligned (if they're not, the valves may not work correctly).**
- **Make sure that the two sections of the pipe (upstream and downstream) match, the valve unit will not absorb any gaps. Any distortions in the pipes may affect the tightness of the connection, the working of the valve and can even cause a rupture.** To be sure, place the kit in position to ensure the assembling will work.
- Before starting the fitting, ensure that the threads and tapping are clean.
- **If sections of piping do not have their final support in place, they should be temporarily fixed. This is to avoid unnecessary strain on the valve.**
- The theoretical lengths given by ISO/R7 for the tapping are typically longer than required, the length of the thread should be limited, and **check that the end of the tube does not press right up to the head of the thread.**
- Position the pipe clips on both sides of the valve.
- If mounting on an air conditioning with PER tubing and hoses, it is necessary to support the tubes and hoses with the fixing to avoid strain on the valve.
- When screwing the valve, ensure that you only rotate on screwed side by the 6 ended side. Use an open ended spanner or an adjustable spanner and not a monkey wrench.
- **Never use a vice to tighten the fixings of the valve.**
- Do not over tighten the valve. Do not block with any extensions as it may cause a rupture or weakening of the casing.
- **In general, for all valves used in buildings and heating, do not tighten above a torque of 30 Nm.**

The advice and assembly instructions above do not conform to any guarantee.
The information is given in general. It states what must not and must be done.
It is provided to ensure the safety of the personnel and the reliability of the valves.
The instructions in bold must be followed.